

CHAPEL STREET

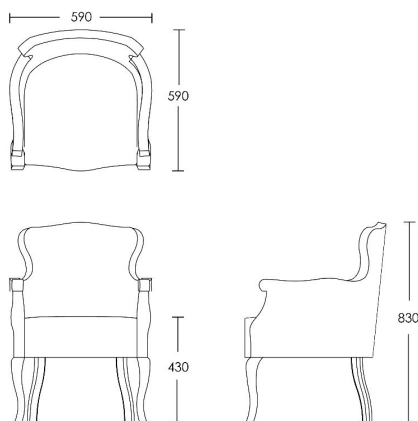
LONDON

T: +44 (0)208 576 6644 | E: info@chapelstreetlondon.com | W: <https://www.chapelstreet.com>
Unit 305, Design Centre East, Chelsea Harbour, London, SW10 0XF



Burnaby

The Burnaby is a small curvy armchair in a traditional shape and is surprisingly versatile across both classic and modern schemes. A compact design makes it a great addition to sitting rooms, hallways or as a bedroom chair. It is also traditionally made: the seat is individually hand-sprung with coil springs. Available in any of our standard stain finishes.



One Size

Product Code: ARM-BUR-001

Dimensions: W590 X D590 X H830mm

Fabric Required: 3.5m

RRP From: £1507.00

*All prices are excluding fabric. Pricing includes VAT. Prices correct at the time of print.