

CHAPEL STREET

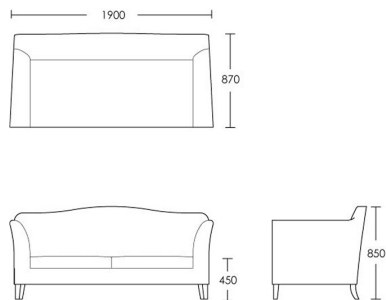
LONDON

T: +44 (0)208 576 6600 | E: info@chapelstreet.com | W: <https://www.chapelstreet.com>
1-3 Fairbank Studios, 140 Lots Road, London SW10 ORJ



Savile

The Savile sofa is one of our more traditional designs. The gentle hump detail on the back and sloped arms are distinctively classic and elegant. The sprung back allows this sofa to be extremely comfortable. Compact in size this sofa will easily fit into smaller spaces. Seat interiors are our standard feather and down foam wrapped inners that require minimal plumping to retain shape.



2 Seat

Product Code: SOF-SAV-001

Dimensions: W1900 X D870 X H850mm

Fabric Required: 12m

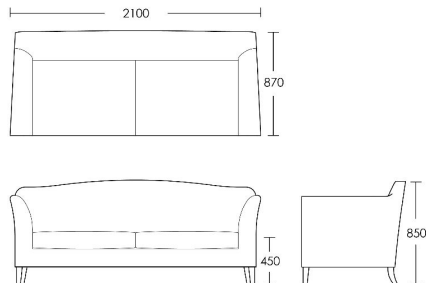
RRP From: £2943.00

*All prices are excluding fabric. Pricing includes VAT. Prices correct at the time of print.

CHAPEL STREET

LONDON

T: +44 (0)208 576 6600 | E: info@chapelstreet.com | W: <https://www.chapelstreet.com>
1-3 Fairbank Studios, 140 Lots Road, London SW10 ORJ



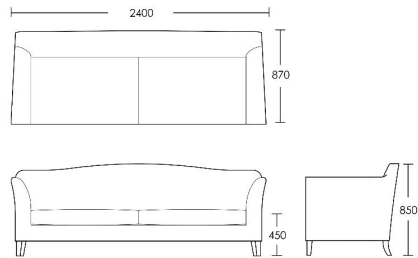
2.5 Seat

Product Code: SOF-SAV-002

Dimensions: W2100 X D870 X H850mm

Fabric Required: 14m

RRP From: £3286.00



3 Seat

Product Code: SOF-SAV-003

Dimensions: W2400 X D870 X H850mm

Fabric Required: 16m

RRP From: £3688.00

*All prices are excluding fabric. Pricing includes VAT. Prices correct at the time of print.