

# CHAPEL STREET

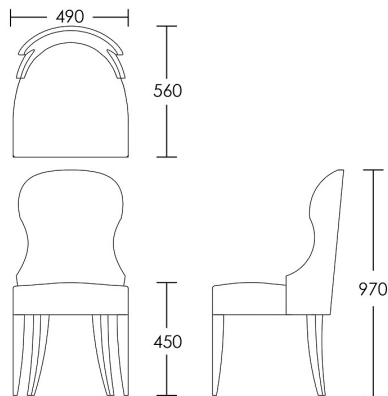
LONDON

T: +44 (0)208 576 6644 | E: info@chapelstreetlondon.com | W: <https://www.chapelstreet.com>  
Unit 305, Design Centre East, Chelsea Harbour, London, SW10 0XF



## Bolton

The Bolton dining chair is a sleek and sophisticated design with a slender tall curved back and has loads of design detail. Use contrast piping or studs around the back to highlight the unique shape of this chair. Suited for any formal dining area either classic or contemporary in scheme, or a small space that needs something with a lot of style. The sprung seat ensures the comfort of this chair matches its appeal. Perfect for either domestic or commercial use.



### One size

Product Code: DC-BOL-001

Dimensions: W490 X D560 X H970mm

Fabric Required: 3m

RRP From: £808.00