

CHAPEL STREET

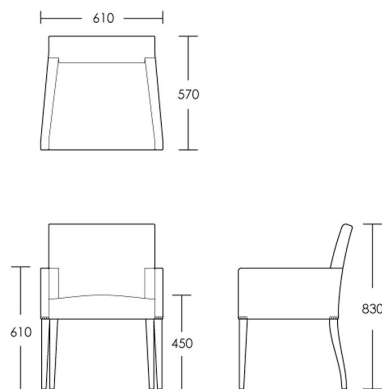
LONDON

T: +44 (0)208 576 6600 | E: info@chapelstreet.com | W: <https://www.chapelstreet.com>
1-3 Fairbank Studios, 140 Lots Road, London SW10 ORJ



Bruton Carver

The Bruton Carver chair is a fine example of simplicity that works. A clean shape, honest detailing makes this a super chair for any dining room. Sprung seat and back ensures comfort and stud detail around the legs adds a little touch of craftsmanship. Available without arms.



One size

Product Code: DC-BRU-001

Dimensions: W610 X D570 X H830mm

Fabric Required: 3m

RRP From: £930.00

*All prices are excluding fabric. Pricing includes VAT. Prices correct at the time of print.