

# CHAPEL STREET

LONDON

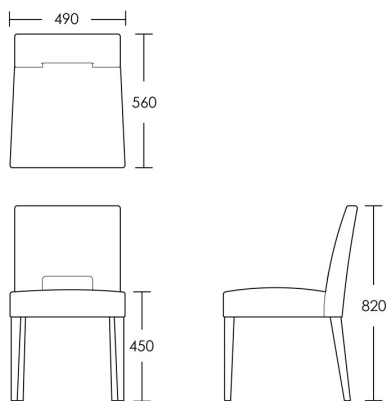
T: +44 (0)208 576 6644 | E: info@chapelstreetlondon.com | W: <https://www.chapelstreet.com>  
Unit 305, Design Centre East, Chelsea Harbour, London, SW10 0XF

---



## Clifton

The Clifton dining chair is a modern design with a cut out back detail. These dining chairs can be used either in an informal dining area or in kitchens. The detailing finishes off this model beautifully. Also available as a dining bench.



### One size

Product Code: DC-CLI-001

Dimensions: W490 X D560 X H820mm

Fabric Required: 1.5m

RRP From: £692.00

\*All prices are excluding fabric. Pricing includes VAT. Prices correct at the time of print.