

CHAPEL STREET

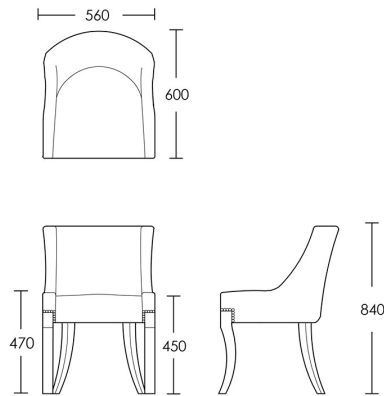
LONDON

T: +44 (0)208 576 6644 | E: info@chapelstreetlondon.com | W: <https://www.chapelstreet.com>
Unit 305, Design Centre East, Chelsea Harbour, London, SW10 0XF



Harewood

The Harewood is a classic dining chair that will be timeless in its design. Sleek lines and curved detail to the legs makes these chairs exceptional. Sprung seat and back provides excellent comfort. Optional stud detail around the legs will finish off this chair beautifully.



One size

Product Code: DC-HAR-001

Dimensions: W560 X D600 X H840mm

Fabric Required: 3m

RRP From: £936.00