

CHAPEL STREET

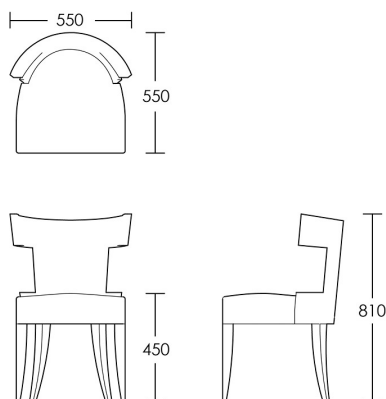
LONDON

T: +44 (0)208 576 6644 | E: info@chapelstreetlondon.com | W: <https://www.chapelstreet.com>
Unit 305, Design Centre East, Chelsea Harbour, London, SW10 0XF



Howick

The Howick dining chair is a contemporary design with a stunning fluted detail on the inside back. Suited for any dining area either classic or contemporary in scheme, or a small space that needs something stylish. The sprung seat ensures the comfort of this chair matches its appeal. These chairs are perfect for either domestic or commercial use.



One size

Product Code: DC-HOW-001

Dimensions: W550 X D550 X H810mm

Fabric Required: 3m

RRP From: £912.00

*All prices are excluding fabric. Pricing includes VAT. Prices correct at the time of print.