

CHAPEL STREET

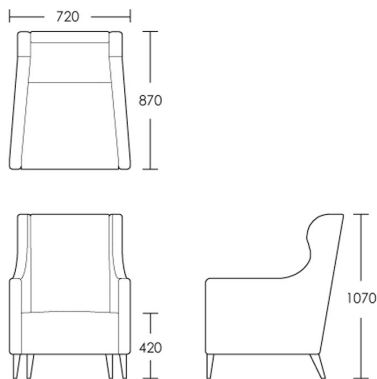
LONDON

T: +44 (0)208 576 6644 | E: info@chapelstreetlondon.com | W: <https://www.chapelstreet.com>
Unit 305, Design Centre East, Chelsea Harbour, London, SW10 0XF



Stratton

The Stratton is a modern interpretation of the classic wingback chair with a nail detail that makes it distinct. The sleeker lines allow this design to be used in any number of interior schemes. A sprung seat and back allow for superb, but firm comfort. These look superb as a matching pair side by side, a great alternative to a small sofa.



One size

Product Code: ARM-STR-001

Dimensions: W720 X D870 X H1070mm

Fabric Required: 7m

RRP From: £1824.00

*All prices are excluding fabric. Pricing includes VAT. Prices correct at the time of print.